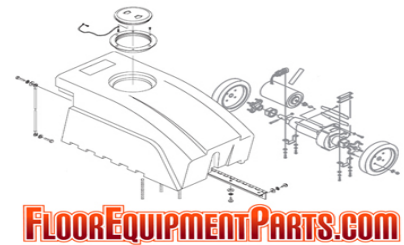
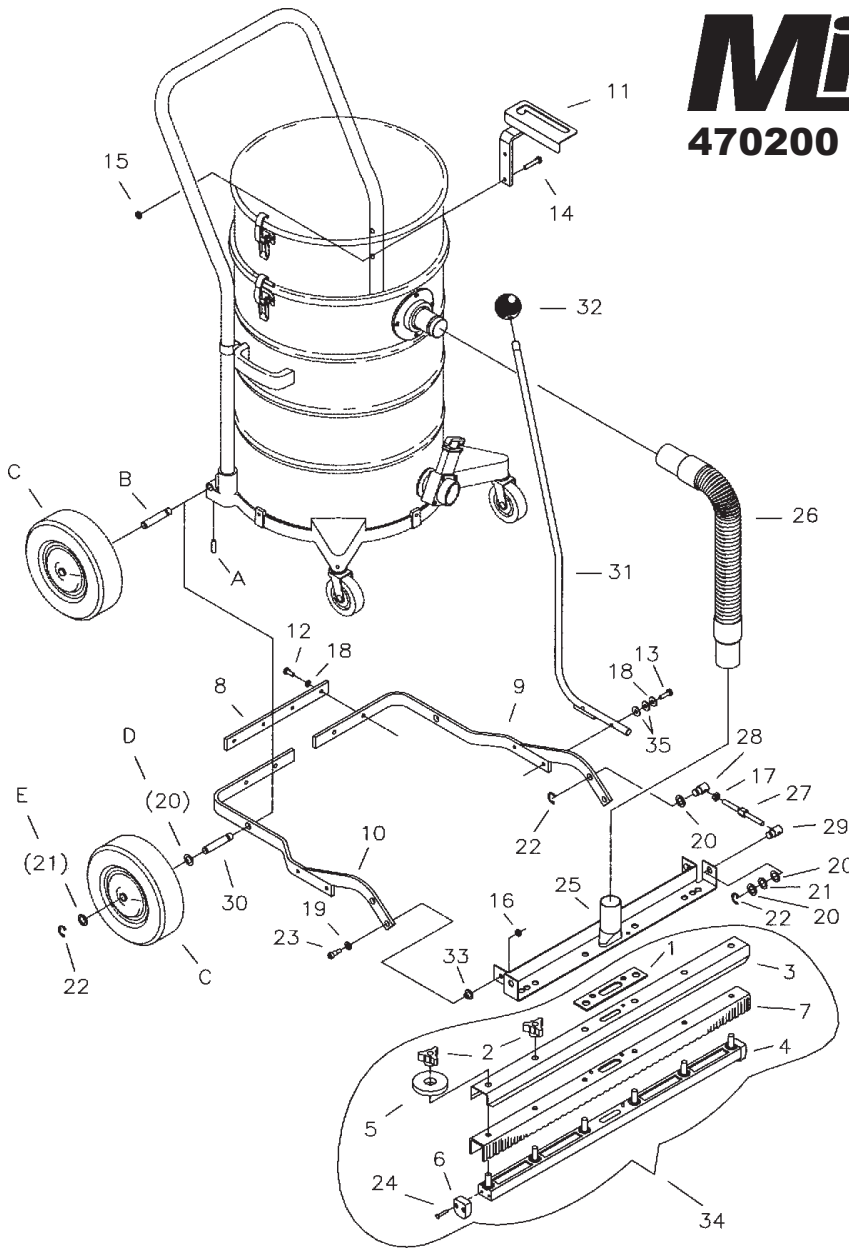


# Minuteman<sup>®</sup>

## 470200 SQUEEGEE ASSEMBLY



### PARTS LISTING

ITEM	PART	QTY	DESCRIPTION	ITEM	PART	QTY	DESCRIPTION
1	430073	1	Gasket	19	711506	2	WSR-Flat 5/16 STPL
2	430074	6	Adjusting Nut	20	711524	6	WSR-Wave .52 x .87 x .03
3	430078	1	U Profile	21	711594	4	WSR-Flat .56 x .88 x .03
4	430079	1	Casting Squeegee Assembly	22	711713	6	Ring-E
5	430085	2	Bumper Wheel	23	712041	2	BLT-SDER 1/4-20
6	430076	2	Nylon Squeegee Insert	24	712517	4	SCR-MC 8/32 x 1 SS
7	11-145	1	Squeegee Gum Rubber	25	750139	1	Squeegee Mtg. Bkt.
8	470001	1	Brace Rear	26	750140-1	1	Vac Hose Assembly
9	470201	1	Left Side Arm Bracket	27	750689	2	Stud, Adjusting
10	470202	1	Right Side Arm Assembly	28	762256PLT	2	Nut Adj. LH
11	470203	1	Loc Plate Assembly	29	762257PLT	2	Nut Adj. RH
12	711203	4	BLT-HH 1/4-20 x .62	30	800257	2	Axle SS
13	711206	2	BLT-HH 1/4-20 x .87	31	807384	1	Rod Handle
14	711213	2	BLT-HH 1/4-20 x 1.62	32	807385	1	Knob Handle
15	711373	2	Nut-Nloc 1/4-20	33	829052	2	Flanged Bushing
16	711377	2	Nut-Lock 1/4-20	34	833494	1	Squeegee Assembly
17	711420	2	Nut-Hex Jam 5/16-18	35	711505	2	WSR-Flat 1/4
18	711544	6	WSR-Helical 1/4				

## INSTALLATION INSTRUCTIONS 470200 SQUEEGEE ASSEMBLY

1. Turn existing tank upside down and remove both wheels (C) by removing set screws (A), remove wheel and axle completely.
2. Install new axle #30 as supplied and reinstall set screws (A).
3. Slide bracket #9 & 10 as shown at left onto axles and fasten brace #8 with washers 18 and bolt 12 (qty. 4).
4. Reinstall washers D & E from old assembly and wheels C using new E-clip supplied (22).
5. Turn tank assembly to upright position and assemble as shown at left.

### ADJUSTMENTS

1. Angle of squeegee assembly can be adjusted if needed, by loosening nut 17 and turning item 27. Both sides may need adjusting so that squeegee blade is parallel to floor in down position.
2. 15 Gallon Units Only.

Vac hose assembly, item 24 should be shortened by 4" to remove excess length.

# **Minuteman**<sup>®</sup>

**World Headquarters**  
Minuteman International, Inc.  
111 South Rohlwing Road  
Addison, Illinois 60101

(630) 627-6900  
FAX (630) 627-1130

Minuteman Canada, Inc.  
2210 Drew Road  
Mississauga, Ontario  
L5S 1B1

(905) 673-3222  
FAX (905) 673-5161

999050 7/02  
Printed in U.S.A